

▲SO # 147781

PREMIER STOCK UNIT

CUSTOM CYCLONE STAINLESS-STEEL BODY LOW HOSE BED PUMPER



CHASSIS

- 67.5" CA 100" WIDE CYCLONE CAB & CHASSIS
- SEATING FOR 6 (5 SCBA)
- CUMMINS X12 500HP WITH ALLISON EVS4000 TRANS.
- HOT-DIPPED GALVANIZED & POWDER COATED FRAME
- G4 ELECTRONIC STABILITY CONTROL
- 48,000LB GVW

BODY

- 304L WELDED STAINLESS-STEEL BODY
- FULL HEIGHT/ FULL DEPTH DRIVER SIDE COMPARTMENTS
- HALF HEIGHT OFFICER SIDE COMPARTMENTS
- EXTERIOR LADDER STORAGE
- LOW HOSE BED
- WHEEL WELL STORAGE FOR 7 SCBA BOTTLES/ EXTINGUISHERS

PUMP & TANK

- 750 GALLON BOOSTER TANK + 30 GALLON FOAM TANK
- HALE QMAX 2000GPM PUMP
- FRONT SUCTION
- ELECTRIC MASTER INTAKE VALVES
- DOUBLE CROSSLAYS
- FRC PUMPOSS PBA 500 PRESSURE GOVERNOR

ELECTRICAL

- WHELEN LED WARNING LIGHT PACKAGE
- FRC SPECTRA / HIVIZ LED FIRETECH LED SCENE LIGHTING
- BACKUP & DRIVER / OFFICER TURN CAMERAS
- DRIVER & OFFICER V-MUX VISTA DISPLAYS
- POWERCALL SIREN

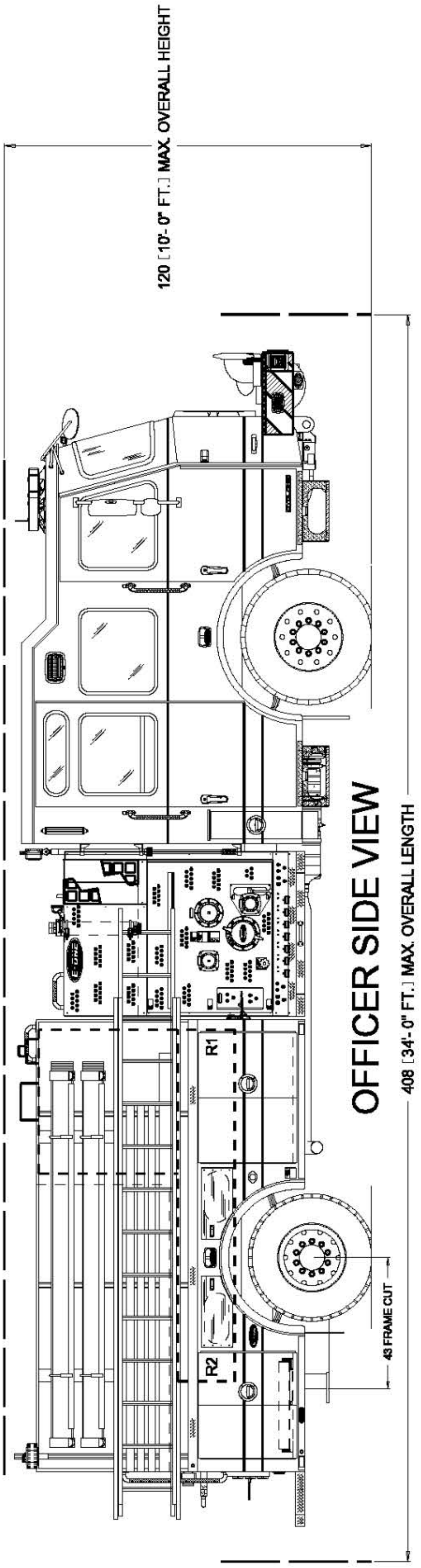
WARRANTY

- 20-YEAR BODY & SUBSTRUCTURE WARRANTY
- 25-YEAR FRAME RAIL CORROSION WARRANTY
- LIFETIME (50) FRAME RAIL WARRANTY
- 10-YEAR CAB STRUCTURAL WARRANTY
- 20-YEAR FRAME COMPONENT CORROSION WARRANTY
-PLUS MORE!

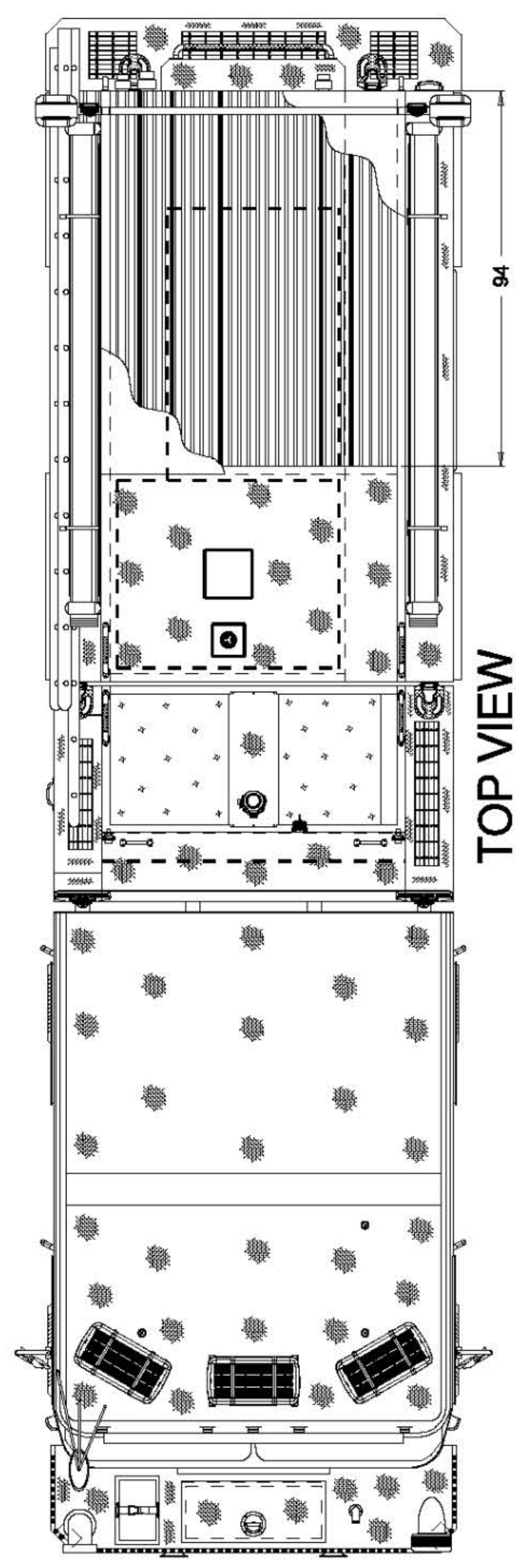
PREMIER

FIRE APPARATUS, INC
SALES & SERVICE

NEW YORK STATE'S "PREMIER" FIRE APPARATUS
SALES & SERVICE DEALER

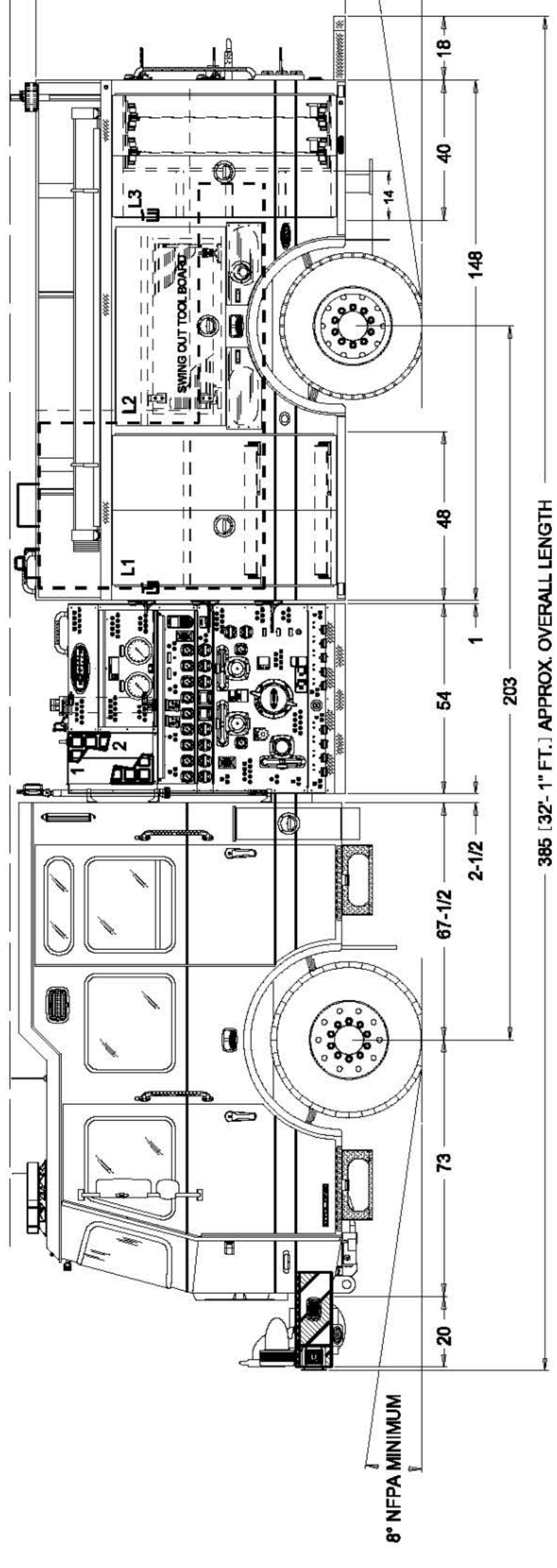


OFFICER SIDE VIEW

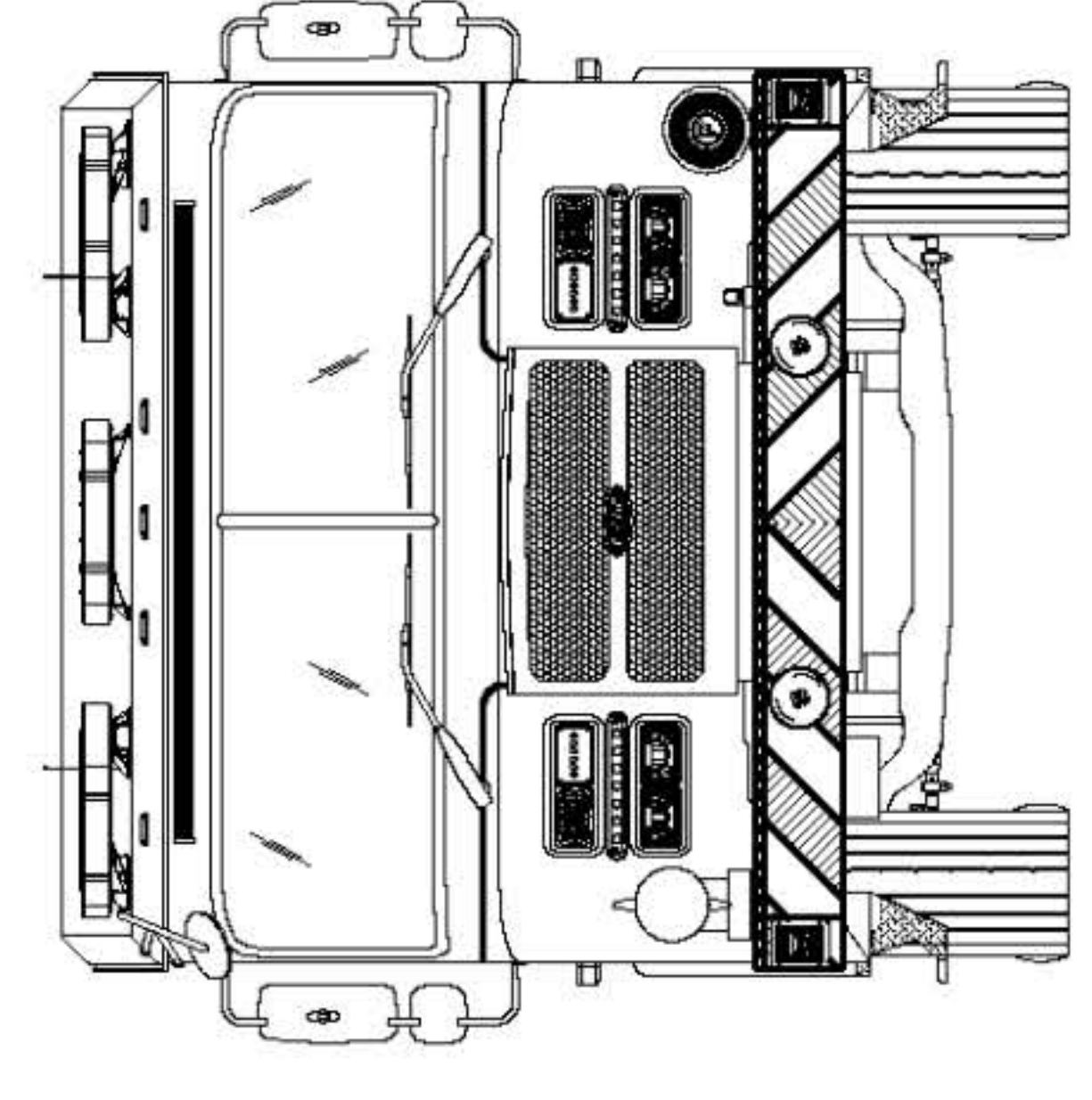


TOP VIEW

CROSSLAY #1 = 200' OF 1-3/4" HOSE CROSSLAY #2 = 200' OF 1-3/4" HOSE



DRIVERS SIDE VIEW

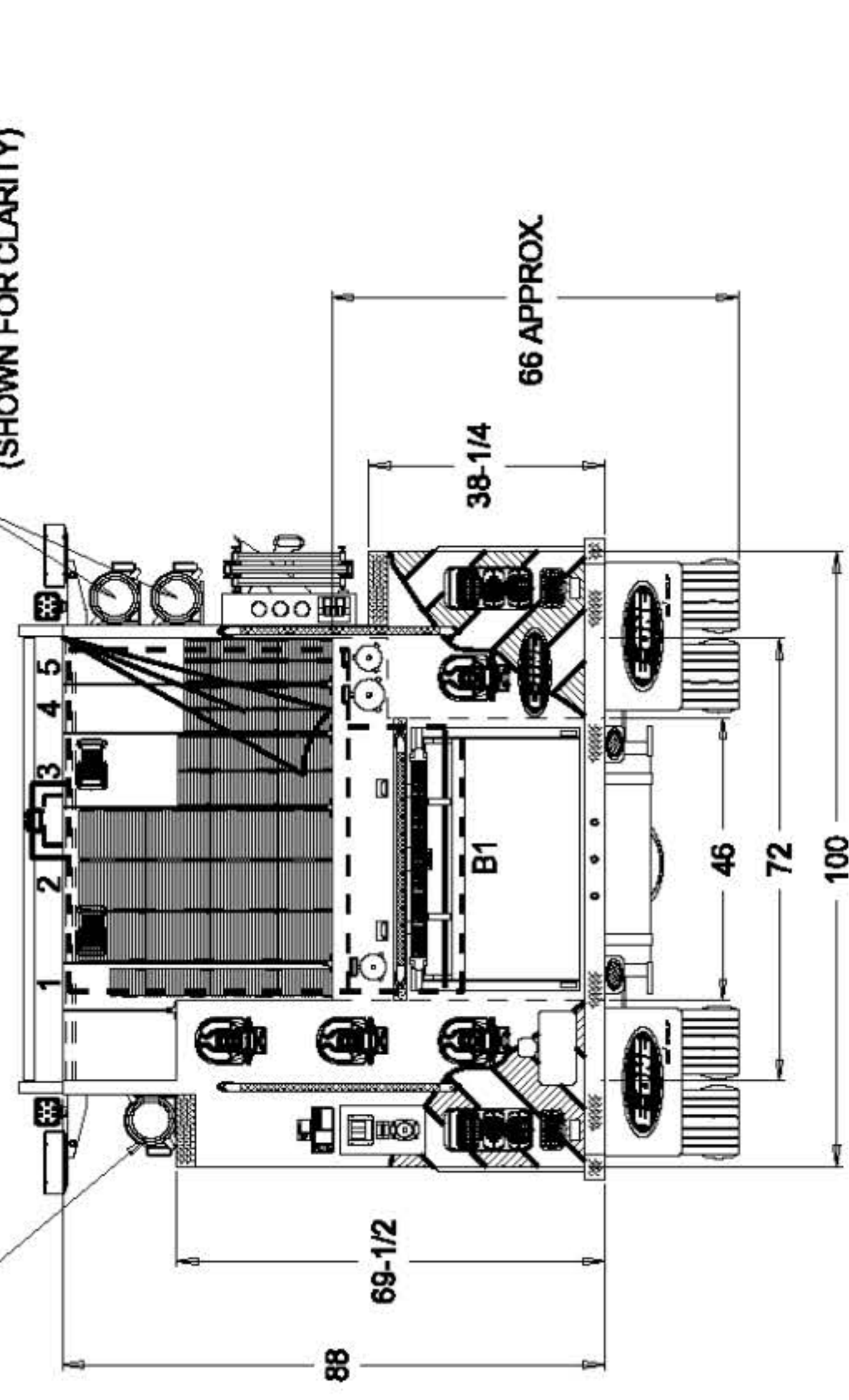


FRONT VIEW

COMPARTMENT DIMENSIONS

COMP.	CLEAR DOOR OPENING (W x H)	COMPARTMENT INTERIOR (W x H x LDUD)
L1	38-1/2"W x 59"H	44"W x 65-1/2"H x 27"D
L2	51-1/2"W x 27-3/4"H	60"W x 34-1/4"H x 27"D
L3	31-1/2"W x 59"H	36"W x 65-1/2"H x 27"D
R1	38-1/2"W x 27-3/4"H	44"W x 34-1/4"H x 27"D
R2	31-1/2"W x 27-3/4"H	36"W x 34-1/4"H x 27"D
B1	39"W x 18-3/4"H	49"W x 30"H x 26"D

HOSE BED LAYOUT:
 BED 1 = 400' OF 2-1/2" HOSE
 BED 2 = 1200' OF 5" LDH
 BED 3 = 500' OF 3" HOSE
 BED 4 = 450' OF 2" HOSE
 BED 5 = 450' OF 1-3/4" HOSE



REAR VIEW

REV.	REVISION NOTE / CO#	DATE	DRAWN BY:	Tolerance:	Units:
-	INITIAL DRAWING TO MATCH QUOTE REV. 15	011624	R.S.	Lin: ±.50" Ang: ±.50°	Inches [mm Imports Only]
					Water Tank Capacity:
					PREMIER FIRE APPARATUS, INC 750 WATER / 30 FOAM
					Misc:
					Generator:
					Misc:

THIS DRAWING IS FOR REFERENCE PURPOSES. ALL DIMENSIONS ARE SUBJECT TO MINOR VARIATIONS DUE TO MANUFACTURING PROCESSES.

This print is the property of E-ONE, Inc. and is loaned to you subject to return on demand, unless otherwise agreed to in writing by E-ONE, Inc. Its contents are confidential and must not be copied or submitted to third parties for use or examination.

SALES REFERENCE ONLY



PREMIER FIRE APPARATUS, INC
 QUOTE NO. 129057 (PTSS-CYCN)
 PUMPER 780 GALLON L-TANK
 CYCLONE LONG 4F/12R 12" REAR RAISED
 FILE NAME: 129057 PREMIER FIRE APPARATUS, INC