

SO # 147448

# PREMIER STOCK UNIT

## CUSTOM FC-94 / VM8 RESCUE PUMPER



### CHASSIS

- 54" SPARTAN FC-94 CAB & CHASSIS
- SEATING FOR 6 (5 SCBA)
- CUMMINS L9 450HP WITH ALLISON EVS3000 TRANS.
- POWDER COATED FRAME
- ELECTRONIC STABILITY CONTROL
- 47,000LB GVW

### BODY

- E-ONE ALUMINUM VM8 BODY CONSTRUCTION
- FULL HEIGHT / FULL DEPTH DRIVER SIDE COMPARTMENTS
- FULL HEIGHT / SPLIT-DEPTH OFFICER SIDE COMPARTMENTS
- ENCLOSED LADDER STORAGE
- WHEEL WELL STORAGE FOR 7 SCBA BOTTLES/ EXTINGUISHERS
- HARD SUCTION STORAGE

### PUMP & TANK

- 1000 GALLON BOOSTER TANK + 30 GALLON FOAM TANK
- HALE QMAX 1500GPM PUMP
- TRIDENT AIR PRIMER
- FRONT BUMPER 1.5" TRASH LINE
- DOUBLE CROSSLAYS
- SMART FOAM 2.1 FOAM SYSTEM

### ELECTRICAL

- WHELEN LED WARNING LIGHT PACKAGE
- HIVIZ FIRETECH LED SCENE LIGHTING
- DRIVER V-MUX VISTA DISPLAYS
- WHELEN SIREN
- BACKUP CAMERA

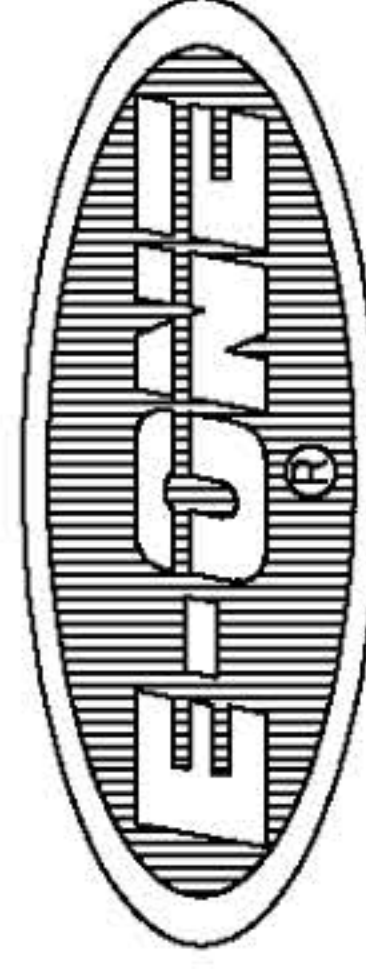
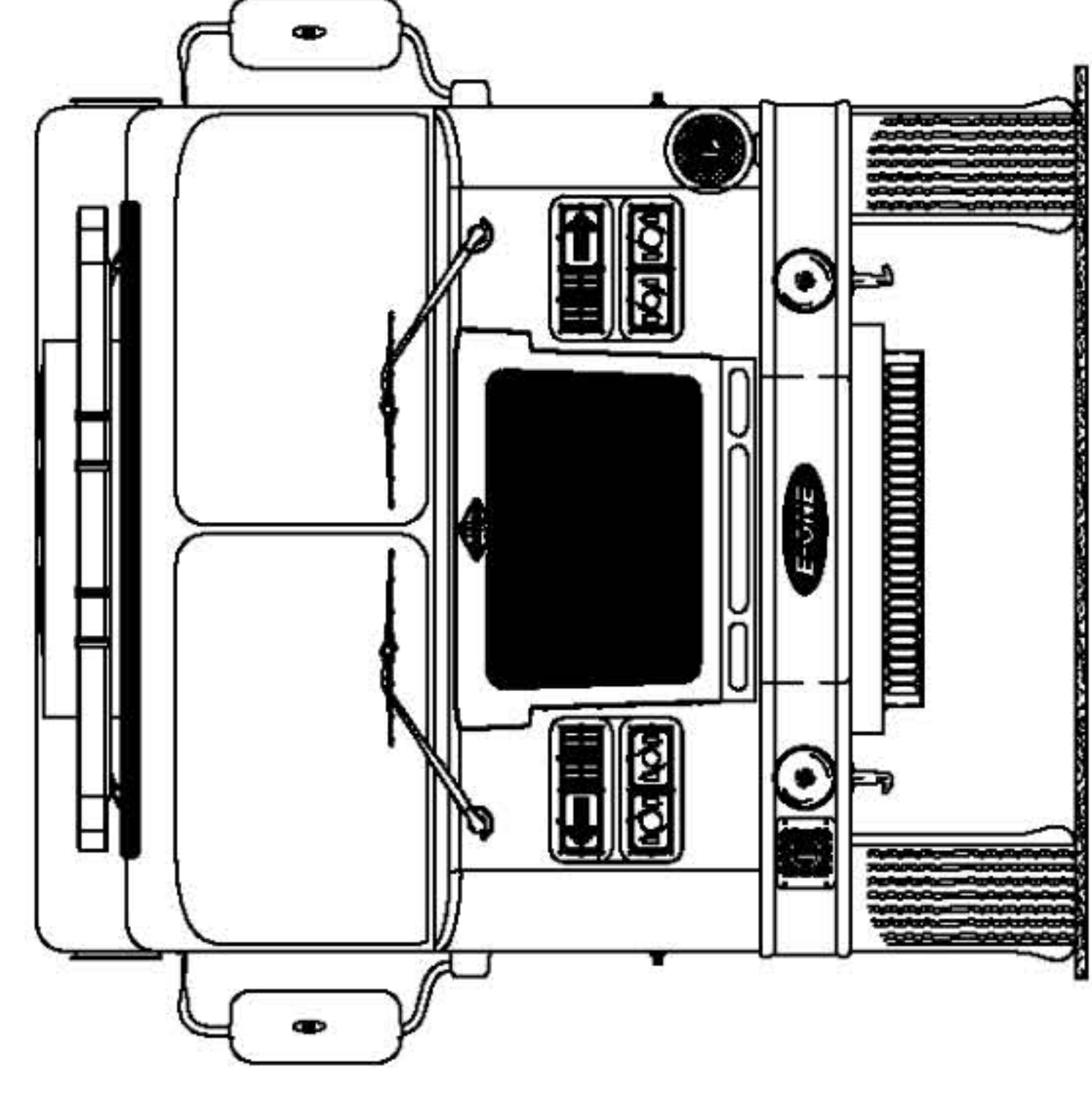
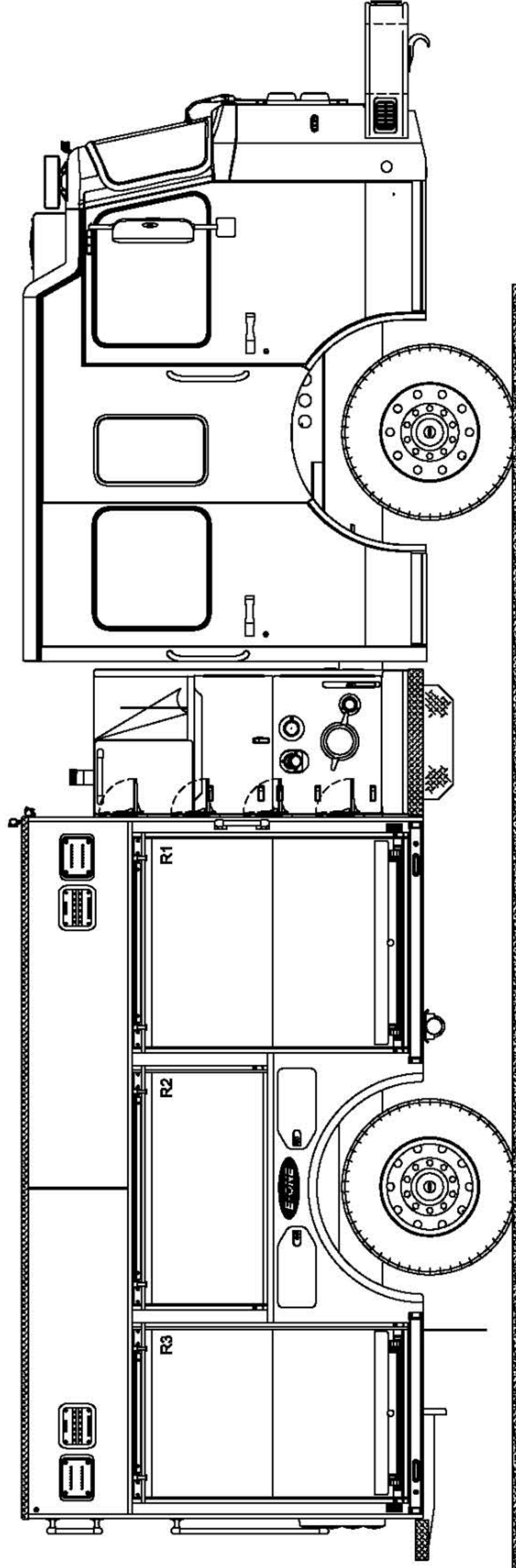
### WARRANTY

- 15-YEAR BODY STRUCTURE WARRANTY
- 3-YEAR FRAME RAIL CORROSION WARRANTY
- 5-YEAR FRAME ASSEMBLY STRUCTURAL WARRANTY
- 5-YEAR CAB STRUCTURAL WARRANTY
- 1-YEAR FRAME COMPONENT CORROSION WARRANTY
- .....PLUS MORE!

# PREMIER

FIRE APPARATUS, INC  
SALES & SERVICE

NEW YORK STATE'S "PREMIER" FIRE APPARATUS  
SALES & SERVICE DEALER



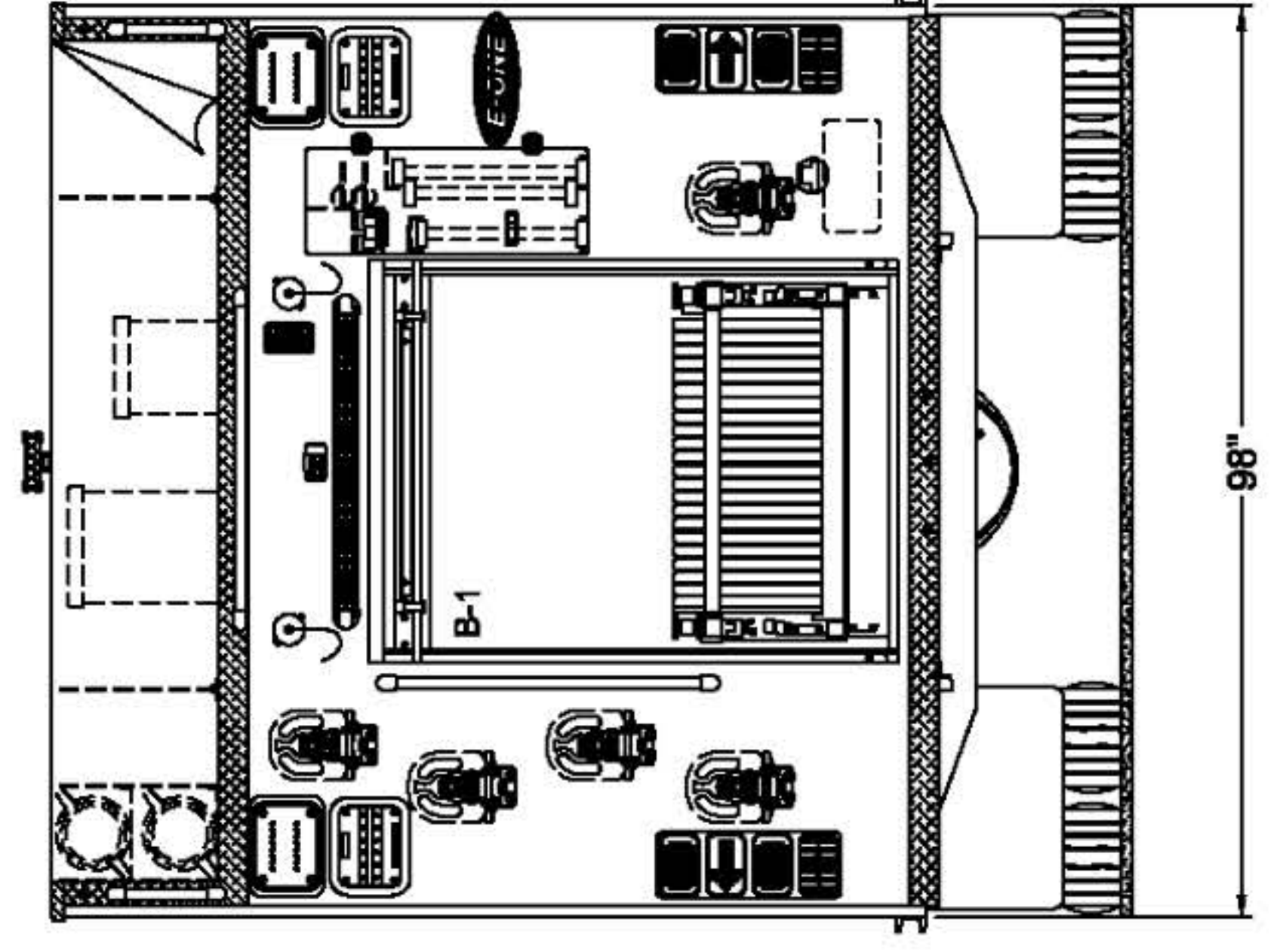
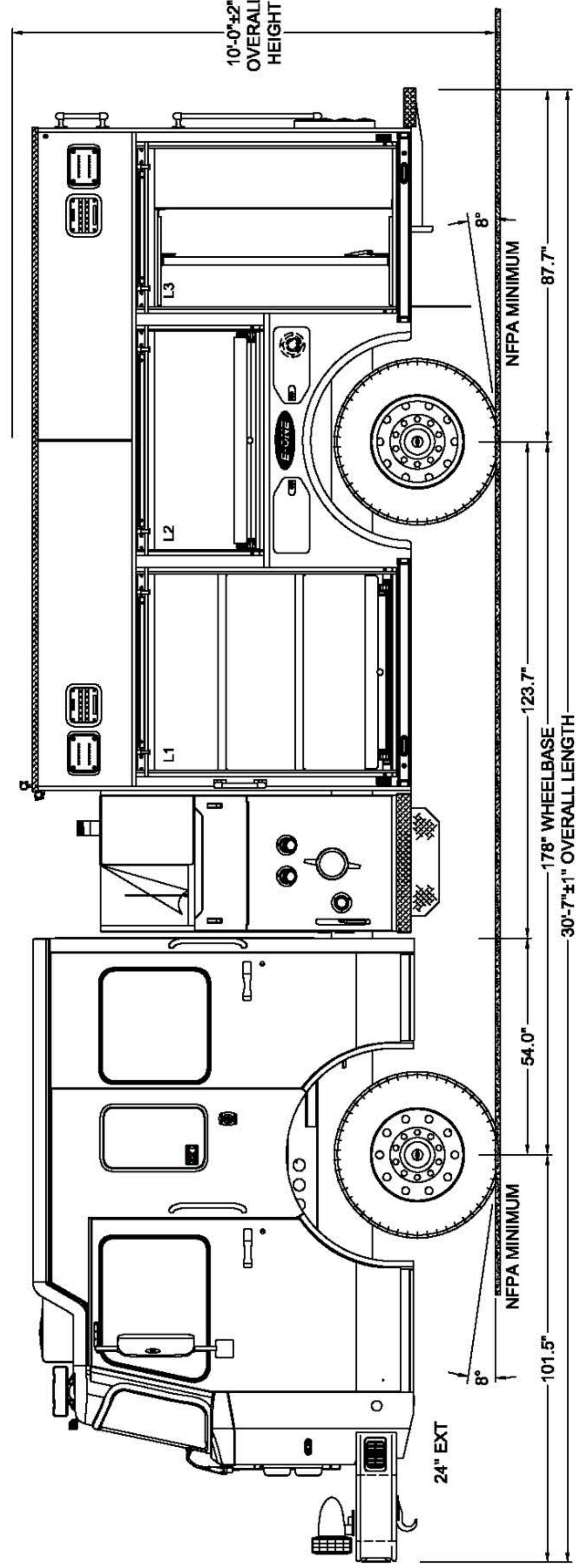
# PREMIER FIRE APPARATUS

LAKE KATRINE, NY

Q125170

1500 GPM HALE QMAX XS PUMP / HALE SMARTFOAM 2.1A  
 1000 GALLON WATER / 30 GALLON FOAM  
 SPARTAN FC-94 4 DOOR CAB 4X2 CHASSIS

COMPT.	OPENING	INTERIOR DIMENSION
L1	49W 60.5H	51.5W 70.6H 26D
L2	54.5W 27.5H	63.75W 37.6H 26D
L3	39.5W 60.5H	42W 70.6H 26D
R1	49W 60.5H	51.5W 37.6H 13.5 D UPPER 51.5W 33H 26 D LOWER
R2	54.5W 27.5H	63.75W 37.6H 13.5 D
R3	39.5W 60.5H	42W 37.6H 13.5 D UPPER 42W 33H 26 D LOWER
B1	40.5W 51.3H	43W 61.2H 26D



DATE	BY	CHKD	APP'D