

SO # 147343

# PREMIER STOCK UNIT

## CUSTOM TYPHOON STAINLESS-STEEL BODY PUMPER



### CHASSIS

- 67.5" CA TYPHOON CAB & CHASSIS
- SEATING FOR 6 (5 SCBA)
- CUMMINS X12 455HP WITH ALLISON EVS4000 TRANS.
- HOT-DIPPED GALVANIZED & POWDER COATED FRAME
- 48,000LB GVW

### BODY

- 304L WELDED STAINLESS-STEEL BODY
- FULL HEIGHT / FULL DEPTH DRIVER SIDE COMPARTMENTS
- FULL HEIGHT / SPLIT-DEPTH OFFICER SIDE COMPARTMENTS
- ENCLOSED LADDER STORAGE
- WHEEL WELL STORAGE FOR 7 SCBA BOTTLES/ EXTINGUISHERS
- ENCLOSED HARD SUCTION STORAGE

### PUMP & TANK

- 1000 GALLON BOOSTER TANK + 30 GALLON FOAM TANK
- HALE QMAX 1500GPM PUMP
- FRONT SUCTION
- ELECTRIC MASTER INTAKE VALVES
- TRIPLE CROSSLAYS (2X1.5" & 1X 2.5")
- CLASS 1 TPG PRESSURE GOVERNOR

### ELECTRICAL

- FEDERAL SIGNAL LED WARNING LIGHT PACKAGE
- HIVIZ LED FIRETECH LED SCENE LIGHTING
- BACKUP CAMERA
- DRIVER V-MUX VISTA DISPLAYS
- FEDERAL SIGNAL SIREN

### WARRANTY

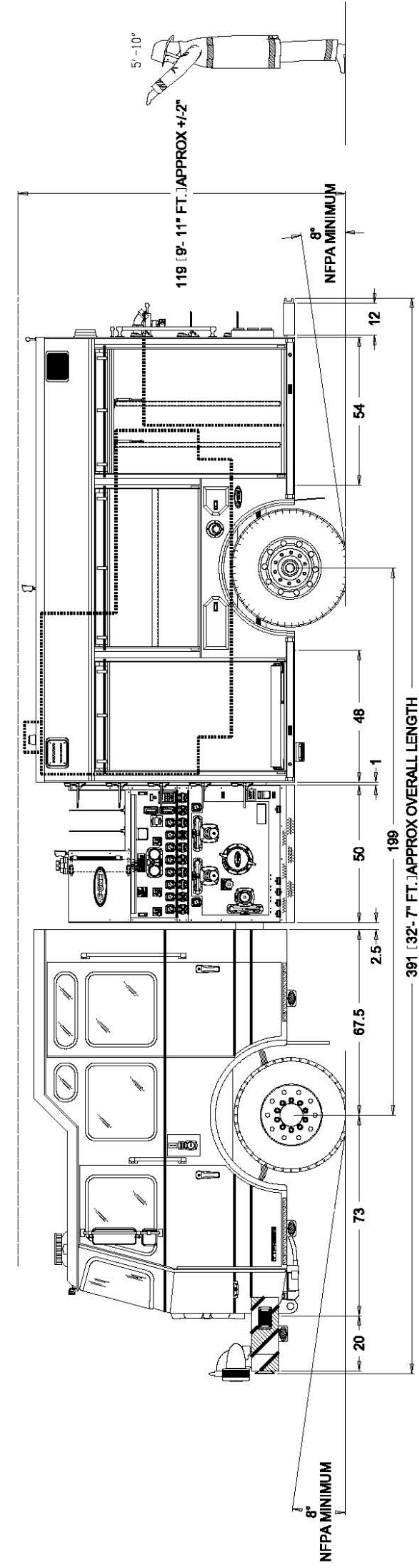
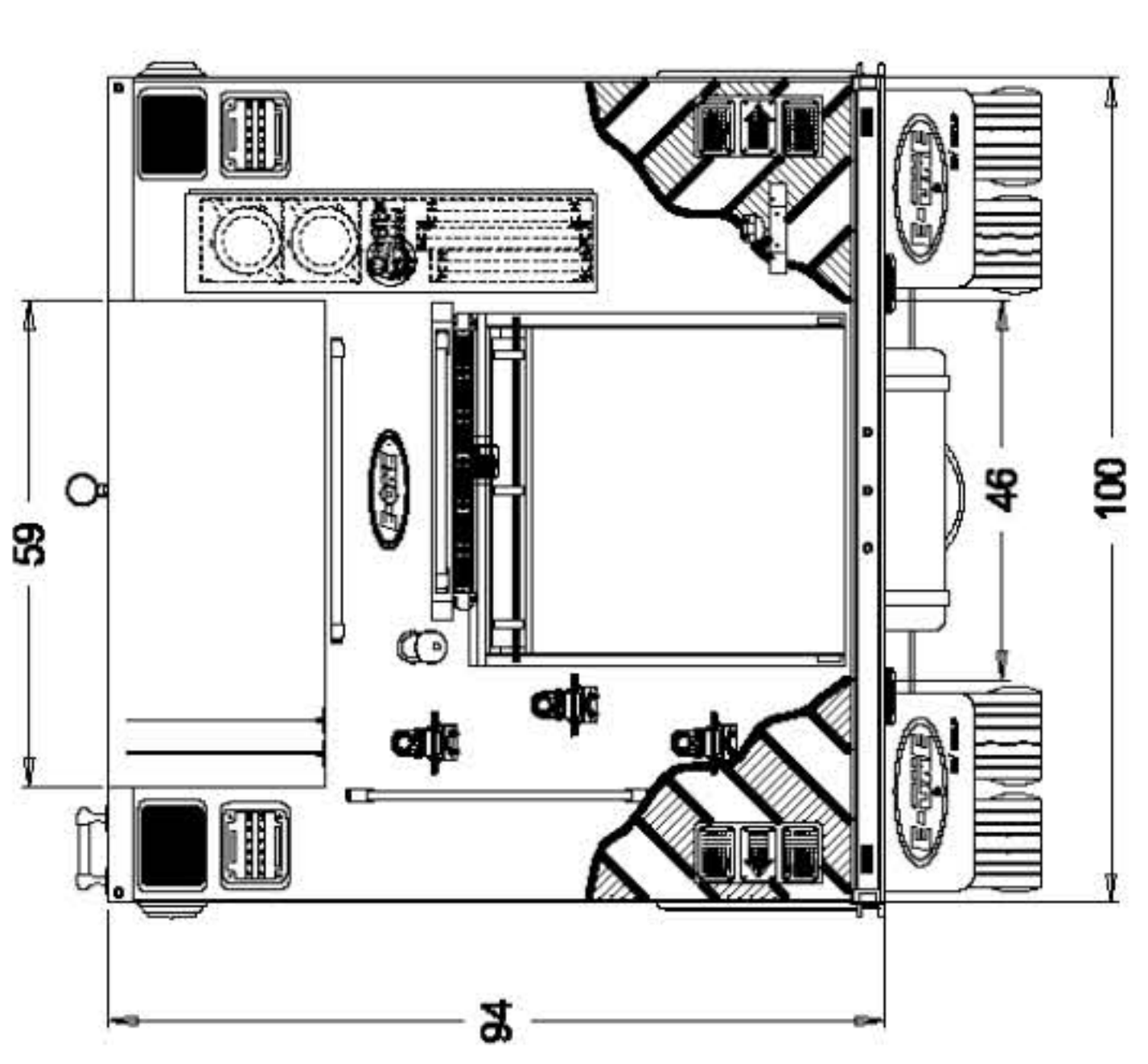
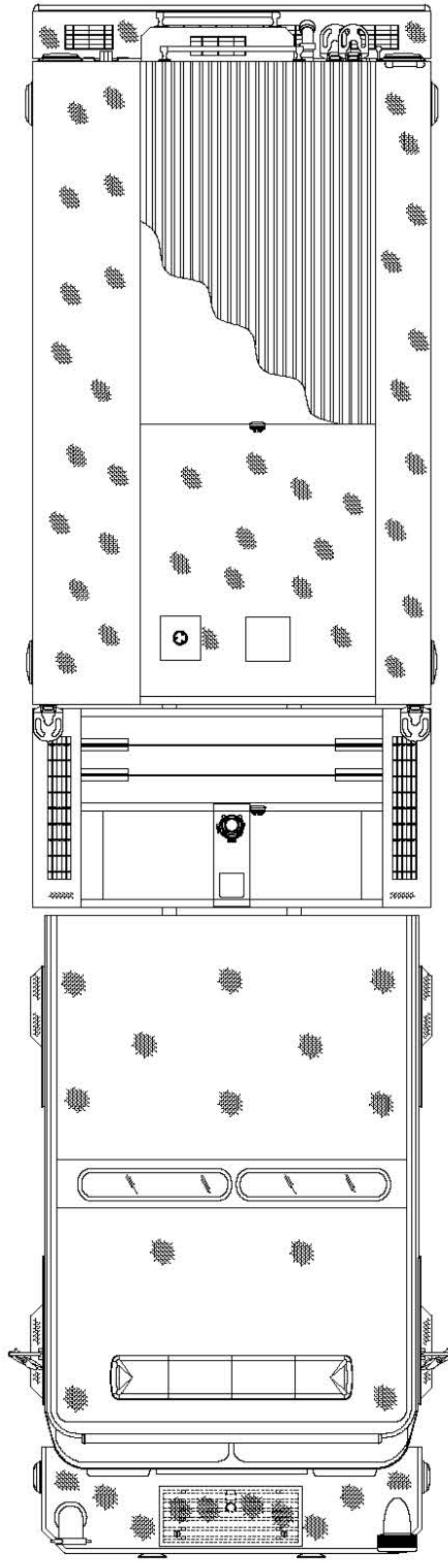
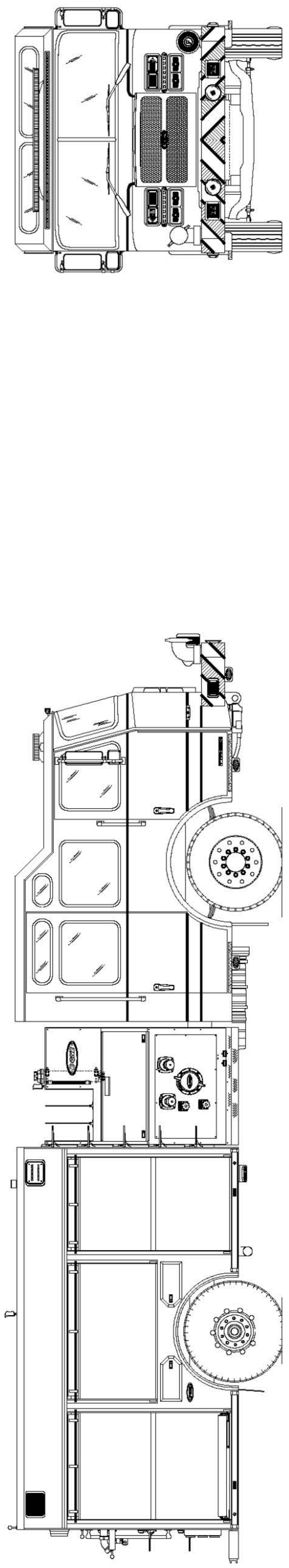
- 20-YEAR BODY & SUBSTRUCTURE WARRANTY
- 25-YEAR FRAME RAIL CORROSION WARRANTY
- LIFETIME (50) FRAME RAIL WARRANTY
- 10-YEAR CAB STRUCTURAL WARRANTY
- 20-YEAR FRAME COMPONENT CORROSION WARRANTY
- .....PLUS MORE!

# PREMIER

FIRE APPARATUS, INC  
SALES & SERVICE

NEW YORK STATE'S "PREMIER" FIRE APPARATUS  
SALES & SERVICE DEALER





**E-ONE**

**PREMIER FIRE APPARATUS INC**  
 QUOTE - 127459 (XRSS-TYPN)  
 SO -  
 RESCUE PUMPER 1030 GALLON TANK  
 TYPN LONG 67.5 W/12" VISTA ROOF

REV.	REVISION NOTE / CO#:	DATE:	DRAWN BY:	Tolerance:	Units:
A	INITIAL DRAWING TO MATCH QUOTE REV 11	091823	JDP	Lin: ±.50" Ang: ±.50°	Inches [mm Imports Only]
				Dealer:	Water Tank Capacity: 1000 WATER/30 FOAM
				Misc:	Misc:
				Misc:	Misc:

THIS DRAWING IS FOR REFERENCE PURPOSES. ALL DIMENSIONS ARE SUBJECT TO MINOR VARIATIONS DUE TO MANUFACTURING PROCESSES.

This print is the property of E-ONE, Inc. and is loaned to you subject to return on demand, unless otherwise agreed to in writing by E-ONE, Inc. Its contents are confidential and must not be copied or submitted to third parties for use or examination.

**SALES REFERENCE ONLY**