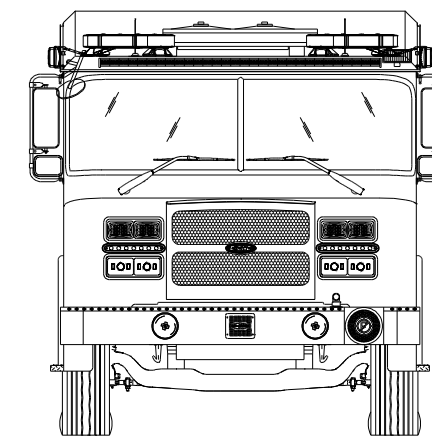
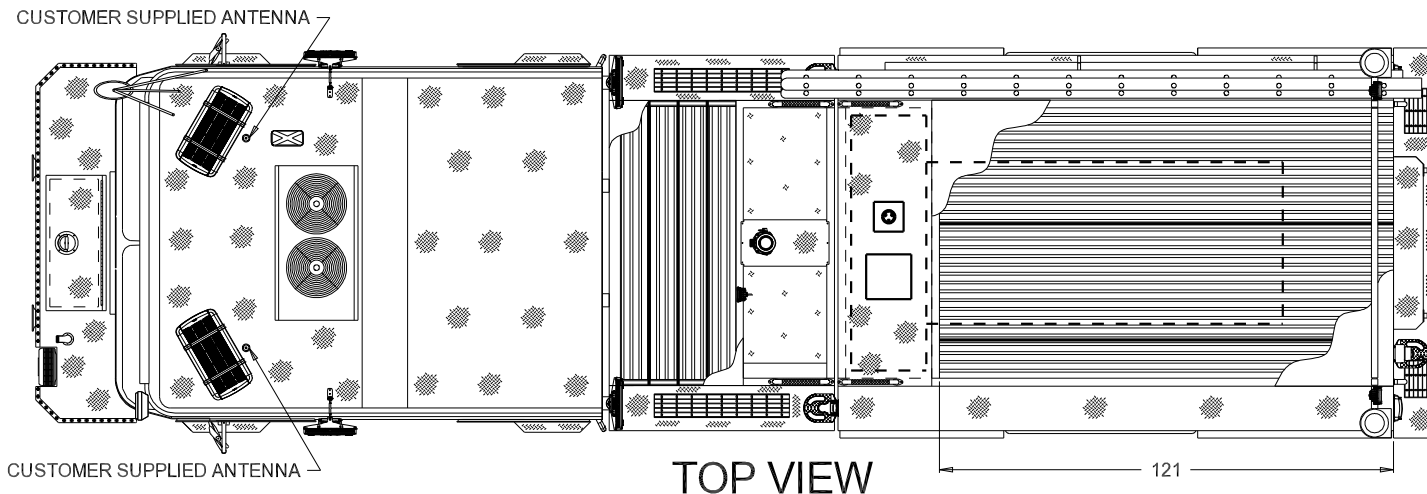


OFFICER SIDE VIEW



FRONT VIEW

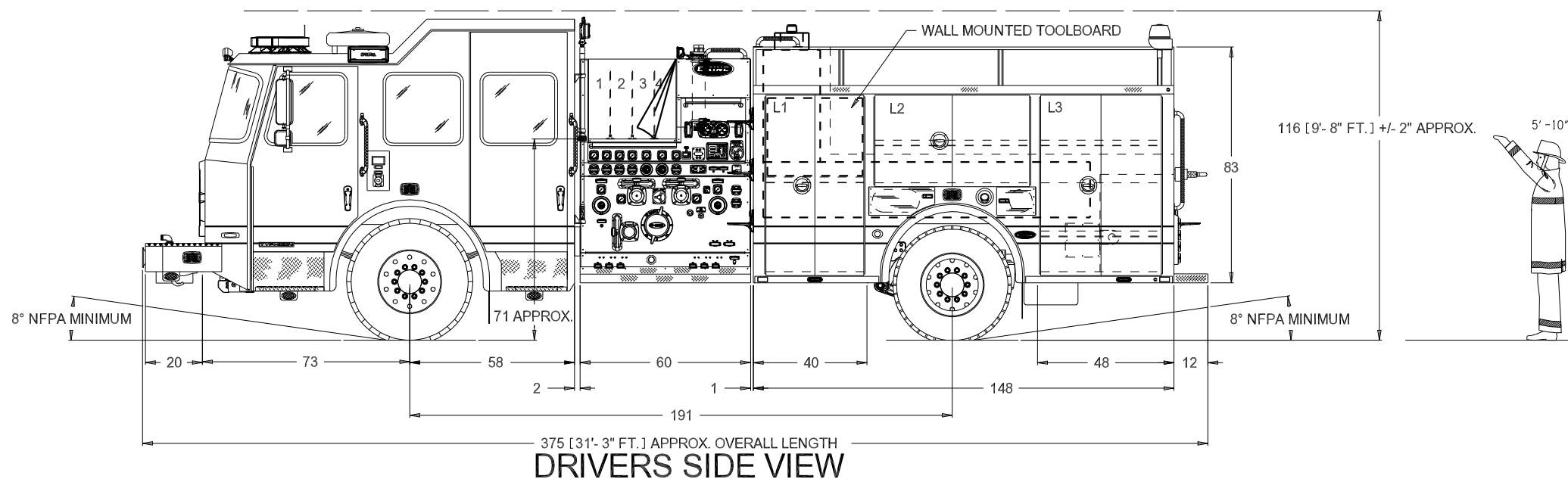


TOP VIEW

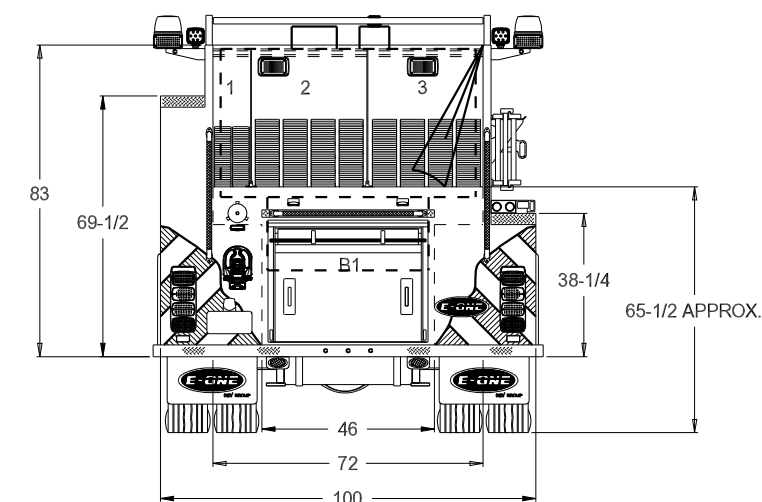
COMPARTMENT DIMENSIONS		
COMPT.	CLEAR DOOR OPENING (W x H):	COMPARTMENT INTERIOR (W x H x LD/UD):
L1	31"W x 58"H	36"W x 31-1/4"H x 27"D L / 36"W x 34-1/4"H x 14"D U
L2	51-1/2"W x 28"H	60"W x 34-1/4"H x 14"D
L3	39"W x 58"H	44"W x 31-1/4"H x 27"D L / 44"W x 34-1/4"H x 14"D U
R1	31"W x 27"H	36"W x 34-1/4"H x 27"D
R2	39"W x 27"H	44"W x 34-1/4"H x 27"D
B1	39"W x 23-3/4"H	46"W x 35"H x 26"D

CROSSLAY #1 = 400' OF 1-3/4" HOSE CROSSLAY #2 = 400' OF 1-3/4" HOSE CROSSLAY #3 = 400' OF 2" HOSE CROSSLAY #4 = 400' OF 2" HOSE

HOSE BED LAYOUT:
 BED 1 = 400' OF 2-1/2" HOSE
 BED 2 = 700' OF 4" HOSE
 BED 3 = 700' OF 4" HOSE



DRIVERS SIDE VIEW



REAR VIEW

THIS DRAWING IS FOR REFERENCE PURPOSES. ALL DIMENSIONS ARE SUBJECT TO MINOR VARIATIONS DUE TO MANUFACTURING PROCESSES.

This print is the property of E-ONE, Inc. and is loaned to you subject to return on demand, unless otherwise agreed to in writing by E-ONE, Inc. Its contents are confidential and must not be copied or submitted to third parties for use or examination.

SALES REFERENCE ONLY

REV.	REVISION NOTE / CO#.	DATE:	DRAWN BY:	Tolerance: Lin: ±.50" Ang: ±50 °	Units: Inches [mm Imports Only]
-	INITIAL DRAWING TO MATCH QUOTE REV. 35	113023	R.S.	Dealer: PREMIER FIRE APPARATUS, INC	Water Tank Capacity: 480 WATER / 50 FOAM
-				GENERATOR:	Misc:
				Misc:	Misc:



CITY OF SYRACUSE FIRE DEPT

QUOTE NO. 128421 (PTSS-TYPN)

PUMPER 530 GALLON L-TANK

TYPHOON MED. 12" VISTA

FILE NAME: 128421 CITY OF SYRACUSE FIRE DEPT